



### Brass or Bronze Camlock Coupling

We supply Brass or Bronze Camlock Coupling. The HISPEED® Brass or Bronze Camlock Couplings are designed and manufactured to provide maximum service life and dependability. The HISPEED® Quick connect camlock couplings are the economical, convenient and simple way to transfer liquids and dry products. available in a wide of range of materials and sizes to suit most applications ( Such as: In Petrochemical Industries,

Fertilizers, Atomic Energy, Power Plants, Industrial & Hydraulic products serving the oil & gas industries, chemical industries, steel plants, mining industries, oil refinery industries ect). Choose HISPEED® Brass or Bronze Camlock Couplings for the most specified, versatile and economical valve option in commercial, mechanical and industrial applications. We are expecting to become your long term partner in China.

### Product Description

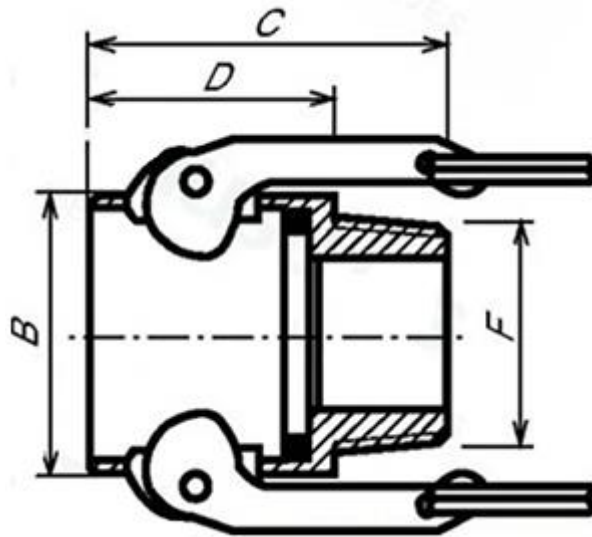
You are welcomed to come to our factory to buy the latest selling, low price, and high-quality Hispeed® Brass or Bronze Camlock Coupling. We look forward to cooperating with you.

The HISPEED® Brass or Bronze Camlock Couplings are designed and manufactured to provide maximum service life and dependability. The HISPEED® Quick connect camlock couplings are the economical, convenient and simple way to transfer liquids and dry products. available in a wide of range of materials and sizes to suit most applications ( Such as: In Petrochemical Industries, Fertilizers, Atomic Energy, Power plants, Industrial & Hydraulic products serving the oil & gas industries, chemical industries, steel plants, mining industries, oil refinery industries ect). Choose HISPEED® Brass or Bronze Camlock Couplings for the most specified, versatile and economical valve option in commercial, mechanical and industrial applications. We are expecting to become your long term partner in China.

With advanced technologies and facilities, strict good quality manage, reasonable rate, superior assistance and close co-operation with shoppers, we have been devoted to supplying the very best price for our consumers for Discountable price China Aluminum Quick Fitting Brass Camlock Stainless Steel Camlock, We warmly welcome domestic and overseas customers send inquiry to us ,we have 24hours working team! Anytime anywhere we are still here to be your partner. Discountable price China Aluminum Quick Fitting, Brass Camlock, With high quality, reasonable price, on-time delivery and customized & customized services to help customers achieve their goals successfully, our

company has got praise in both domestic and foreign markets. Buyers are welcome to contact us.

**Product Parameter (Specification)**



DN(mm)	F(inches)	B	C	D	A
15	1/2 "	32.7	48.2	30.4	44.7
20	3/4 "	41.5	52.75	33.25	61.35
25	1"	46.5	62	40	67.7
32	1 1/4"	58.3	66	46	79.3
40	1 1/2"	67.5	71	45.2	87.6
50	2"	75.3	76.5	52.7	97
65	2 1/2"	91.8	85.5	55.5	110.2
80	3"	108.5	91.5	59.2	131.4
100	4"	139.1	94.6	58.2	159.5
125	5"	168.4	97	60	188.4
150	6"	199.6	103.75	62.75	240
200	8"	257.18	140	95.48	298.45

**Product Feature And Application**

Good abrasion resistant, light weight, economical cost .

Save time compared with flanged or threaded fittings.

No tools needed and make the job easy.

Safety sealing for fluids, powders and pellets, Light weight and durable .

Could keep the transfers safe without any damage or any risks.

### Product Details

Basic design: DIN2828, MIL-C-27487

Thread standard: NPT, BSPT, BSP, DIN2999

Material: AISI 304, 316, 316L, Brass, Aluminum, Polypropylene, Nylon also available

Size: 1/2", 3/4", 1", 1-11/4", 1-1/2", 3", 4", 5", 6"

### Deliver, Shipping And Serving

Ship from Qingdao or another Seaports

### FAQ

	Q	A
1	How many days you need to install the equipment?	Unwanted.
2	How many staff abroad you sent to install the equipment?	Unwanted.
3	Can I transfer the money to you then you pay to other supplier?	YES.
4	Can I delivery the goods from other supplier to your factory? Then load together?	YES.
5	When will you leave your factory and to have your spring festival holidays?	According to national regulations.
6	Can the equipment be installed under hot weather?	YES.
7	Can Your products be installed under the cold weather?	YES.
8	Do You have office in shanghai or guangzhou that i can visit?	NONE.
9	Can you send your staff to install the equipment for us?	Unwanted.
10	Can I only buy some spare parts from you?	YES.

11	Will you will attend the fair to show your products?	YES.
12	Can you send your equipment to my warehouse in guangzhou?	YES.
13	How long it takes you to provide the designing options for us?	3 days at most.
14	What is your products standardization?	AWWA BS AIP WRAS FM.
15	How do you pack the equipment?	Negotiate with the customer.
16	Can you can design the equipment according to our size?	YES.
17	How many years have your company made this kind of equipment?	5 years.
18	Which certificate do you have for your equipment?	FM.
19	How many staffs do you have in your factory?	200
20	Do you have any agent in our country?	NONE.
21	Do you have any real project pictures of the equipment?	YES.
22	How far is your factory from the city hotel?	10 km.
23	How far is your factory from the airport?	10 km.
24	How long it will take from guangzhou to your factory?	5 hours.
25	Where is your factory located?	Weifang City,Shandong province.
26	Do you provide free spare parts?	It depends.
27	What is the age range for your products?	Everyone.
28	Do you have detailed and professional installation manual?	YES.
29	If OEM is acceptable?	YES.
30	Do you provide sample? Free or charge?	It depends.
31	What is your term of payment?	30% payment in advance, 70% paid before shipment.
32	What is your MOQ?	One container.

33	Are you a trading company or a manufacturer?	Trade and Industry combination group company.
34	How long is your delivery time?	25-40 days.