



**Elbow**

We supply Elbow. The HISPEED® Elbow can be applied to water treatment and drinking water, oil and gas, heating & power, HVAC system, medicine & food and so on. We are specialized in providing stainless steel press fittings system solutions and products for pipelines. We are expecting to become your long term partner in China.

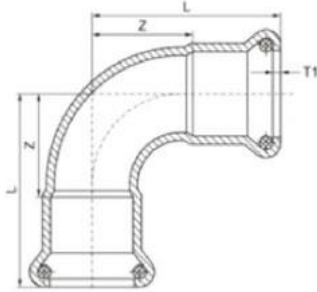
**Product Description**

The following is the introduction of high quality Hispeed® Elbow, hoping to help you better understand Elbow. Welcome new and old customers to continue to cooperate with us to create a better future!

The HISPEED® Elbow can be applied to water treatment and drinking water, oil and gas, heating & power, HVAC system, medicine & food and so on. We are specialized in providing stainless steel press fittings system solutions and products for pipelines. We are expecting to become your long term partner in China. Persisting in "High quality, Prompt Delivery, Aggressive Price", we have established long-term cooperation with clientele from both equally overseas and domestically and get new and old clients' higher comments for Good Quality China High Quality with Bottom Price PTFE Lined Carbon Steel Pipe Big Elbow, Our tenet is "Reasonable prices, economical production time and very best service" We hope to cooperate with much more shoppers for mutual enhancement and benefits. Good Quality China PTFE Lining Elbow, PTFE Lined Elbow, we've been now looking forward to even greater cooperation with overseas customers based on mutual benefits. We are going to work wholeheartedly to improve our solutions and services. We also promise to work jointly with business partners to elevate our cooperation to a higher level and share success together. Warmly welcome you to visit our factory sincerely.

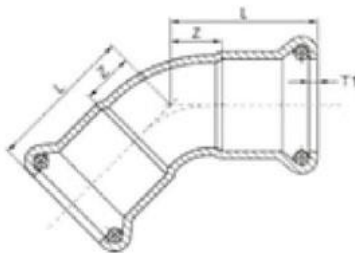
**Product Parameter (Specification)**

Elbow 90°-M:



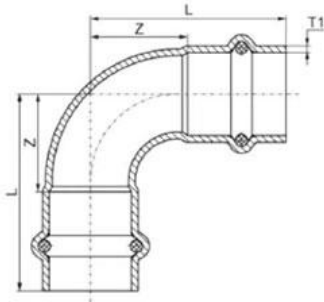
Size (OD) mm	L mm	Z mm	T1 mm
15	42.5±2	22	1.5
18	47±2	26.5	1.5
22	52.5±2	31.5	1.5
28	62±2	39	1.5
35	72±2	45	1.5
42	88±2	56	1.5
54	110±2	73	1.5
76.1	150±2	95	2.00
88.9	174±2	111	2.00
108	215±2	138	2.00
114	250±2	177	2.00
139	314±2	217	2.00
168	378±2	261	2.00

Elbow 45°-M:



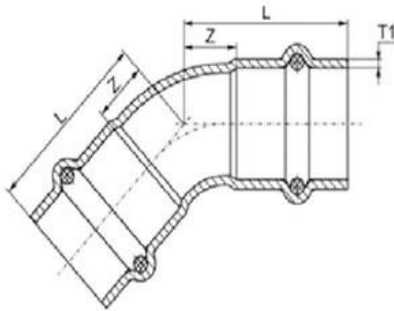
Size (OD) mm	L mm	Z mm	T1 mm
15	31±2	10.5	1.5
18	32±2	11.5	1.5
22	36±2	15	1.5
28	40.5±2	17.5	1.5
35	47±2	20	1.5
42	57±2	25	1.5
54	69±2	32	1.5
76.1	98±2	43	2.00
88.9	112±2	49	2.00
108	138±2	61	2.00
114	159±2	89	2.00
139	204±2	105	2.00
168	245±2	126	2.00

Elbow 90°-V:



Size (OD) m m	L m m	Z m m	T1 m m
15	46±2	24	1.5
18	50±2	28	1.5
22	56±2	33	1.5
28	62±2	38	1.5
35	75±2	48	1.5
42	94±2	56	1.5
54	112±2	71	1.5
76.1	189	129.3	2.0
88.9	212	147.3	2.0
108	257	184.3	2.0

Elbow 45°-V:



Size (OD) m m	L m m	Z m m	T1 m m
15	34±2	12	1.5
18	36±2	14	1.5
22	39±2	16	1.5
28	42±2	18	1.5
35	50±2	23	1.5
42	64±2	26	1.5
54	74±2	33	1.5
76.1	128	68.3	2.0
88.9	139	74.3	2.0
108	178	105.3	2.0

**Product Feature And Application**

- Easy&fast to install
- Long service life
- Wide range of applications
- Green health&Environmental protection
- Excellent corrosion resistance&Low cost of labour

**Product Details**

SS304/SS316L/carbon steel(galvanized)  
O-ring in EPDM/FKM/NBR are available

**Deliver,Shipping And Serving**

Ship from Qingdao or another Seaports

**FAQ**

Q	A

1	How many days you need to install the equipment?	Unwanted.
2	How many staff abroad you sent to install the equipment?	Unwanted.
3	Can I transfer the money to you then you pay to other supplier?	YES.
4	Can I delivery the goods from other supplier to your factory? Then load together?	YES.
5	When will you leave your factory and to have your spring festival holidays?	According to national regulations.
6	Can the equipment be installed under hot weather?	YES.
7	Can Your products be installed under the cold weather?	YES.
8	Do You have office in shanghai or guangzhou that i can visit?	NONE.
9	Can you send your staff to install the equipment for us?	Unwanted.
10	Can I only buy some spare parts from you?	YES.
11	Will you will attend the fair to show your products?	YES.
12	Can you send your equipment to my warehouse in guangzhou?	YES.
13	How long it takes you to provide the designing options for us?	3 days at most.
14	What is your products standardization?	AWWA BS AIP WRAS FM.
15	How do you pack the equipment?	Negotiate with the customer.
16	Can you can design the equipment according to our size?	YES.
17	How many years have your	5 years.

	company made this kind of equipment?	
18	Which certificate do you have for your equipment?	FM.
19	How many staffs do you have in your factory?	200
20	Do you have any agent in our country?	NONE.
21	Do you have any real project pictures of the equipment?	YES.
22	How far is your factory from the city hotel?	10 km.
23	How far is your factory from the airport?	10 km.
24	How long it will take from guangzhou to your factory?	5 hours.
25	Where is your factory located?	Weifang City,Shandong province.
26	Do you provide free spare parts?	It depends.
27	What is the age range for your products?	Everyone.
28	Do you have detailed and professional installation manual?	YES.
29	If OEM is acceptable?	YES.
30	Do you provide sample? Free or charge?	It depends.
31	What is your term of payment?	30% payment in advance, 70% paid before shipment.
32	What is your MOQ?	One container.
33	Are you a trading company or a manufacturer?	Trade and Industry combination group company.
34	How long is your delivery time?	25-40 days.