



Rising Stem Cast Iron Gate Valve

You can rest assured to buy customized Hispeed® Rising Stem Cast Iron Gate Valve from us. We supply Rising Stem Cast Iron Gate Valve. The Cast Iron Gate Valve provides full flow with minimal pressure drop. The Cast Iron Gate Valve features a Class 125 flange or a PN16 flange, easy installation and accessibility. Rising Stem(OS&Y) Cast Iron Gate Valves are recommended when positive shutoff and a quick visual indicator of open/closed position is required. The OS&Y configuration protects the stem threads from contact with the media. The HISPEED® flanged cast iron gate valve may be used in commercial and industrial applications, including hot and cold water, HVAC, steam, gas and other general utility services. Choose HISPEED® gate valves for the most specified, versatile and economical valve option in commercial, mechanical and industrial applications. We are expecting to become your long term partner in China.

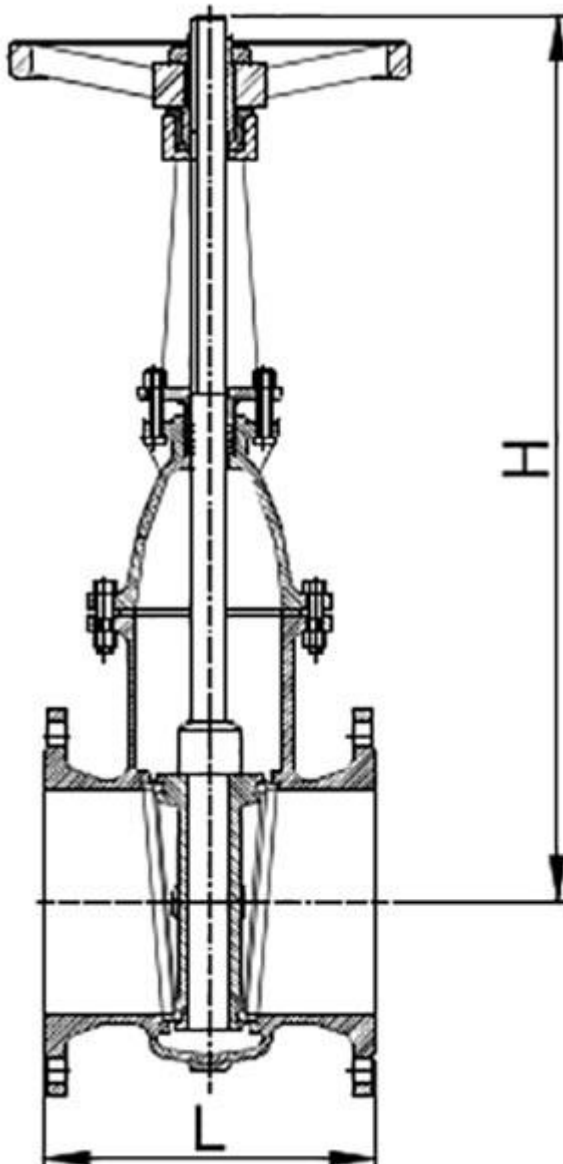
Product Description

You are welcomed to come to our factory to buy the latest selling, low price, and high-quality Hispeed® Rising Stem Cast Iron Gate Valve. Its products have been well accepted throughout the country and marketed worldwide to markets in Europe, the United States, Africa, and Australia.

The Cast Iron Gate Valve provides full flow with minimal pressure drop. The Cast Iron Gate Valve features a Class 125 flange or a PN16 flange, easy installation and accessibility. Rising Stem(OS&Y) Cast Iron Gate Valves are recommended when positive shutoff and a quick visual indicator of open/closed position is required. The OS&Y configuration protects the stem threads from contact with the media. The HISPEED® flanged cast iron gate valve may be used in commercial and industrial applications, including hot and cold water, HVAC, steam, gas and other general utility services. Choose HISPEED® gate valves for the most specified, versatile and economical valve option in commercial, mechanical and industrial applications. We are expecting to become your long term partner in China. "Sincerity, Innovation, Rigorousness, and Efficiency" could be the persistent conception of our business for your long-term to develop with each other with prospects for mutual reciprocity and mutual profit for Factory source China Ductile Cast Iron DIN F4 Non Rising Stem Resilient Seat Control Gate Valve, We Sincerely welcome consumers from everywhere in the entire world to go to us, with our multifaceted cooperation and operate jointly to build new markets, make win-win excellent foreseeable future. Factory source China Ductile Iron Gate Valve, ductile iron, So that you can utilize

the resource from the expanding info in international trade, we welcome shoppers from everywhere on-line and offline. In spite of the good quality solutions we provide, effective and satisfying consultation service is supplied by our professional after-sale service team. Product lists and in depth parameters and any other info weill be sent to you timely for your inquiries. So you should make contact with us by sending us emails or call us if you have any questions about our corporation. ou may also get our address info from our web page and come to our company to get a field survey of our merchandise. We've been confident that we're going to share mutual achievement and create strong co-operation relations with our companions in this marketplace. We're searching forward for your inquiries.

Product Parameter (Specification)



Size	2"	2-1/2"	3"	4"	5"	6"	8"	10"	12"	14"	16"	18"
L	178	191	203	229	254	267	292	330	356	381	406	432
H(OPEN)	405	415	486	632	710	842	1100	1228	1372	1595	1910	2180

Size	20"	24"	28"	30"	32"	36"	42"	48"	54"	60"	66"	-
L	457	508	610	610	660	711	915	1180	945	945	945	-
H(OPEN)	2202	2745	2920	3350	3530	3950	4415	5265	5790	6315	6735	-

Product Feature And Application

Meet or exceed AWWA C500/BS5150

Full Waterway

Adjustable Packing

Face to Face Dimensions to ANSI/ASME B16.10,EN558 S03

Flange Drilling to ANSI B16.1,Class 125/EN1092-2 PN16

Product Details

Part Name	Materials	ASTM Specification
Body	Cast/Ductile Iron	A126 ClassB/A536 65-45-12
Bonnet	Cast/Ductile Iron	A126 ClassB/A536 65-45-12
Body Seat	Bronze	B62 C83600
Wedge	Cast/Ductile Iron	A126 ClassB/A536 65-45-12
Wedge Seat	Bronze	B62 C83600
Stem	Stainless Steel	A276, Grade 420
Stem Nut	Brass	B148 C95200
Gasket	Graphite	Non-asbestos
Packing	Graphite	Non-asbestos
Fasteners	Carbon Steel	A307, Grade B
Handwheel	Cast/Ductile Iron	A126 ClassB/A536 65-45-12

Deliver,Shipping And Serving

Ship from Qingdao or another Seaports

FAQ

	Q	A
1	How many days you need to install the equipment?	Unwanted.
2	How many staff abroad you sent to install the equipment?	Unwanted.
3	Can I transfer the money to you then you pay to other supplier?	YES.
4	Can I delivery the goods from other supplier to your factory?	YES.

	Then load together?	
5	When will you leave your factory and to have your spring festival holidays?	According to national regulations.
6	Can the equipment be installed under hot weather?	YES.
7	Can Your products be installed under the cold weather?	YES.
8	Do You have office in shanghai or guangzhou that i can visit?	NONE.
9	Can you send your staff to install the equipment for us?	Unwanted.
10	Can I only buy some spare parts from you?	YES.
11	Will you will attend the fair to show your products?	YES.
12	Can you send your equipment to my warehouse in guangzhou?	YES.
13	How long it takes you to provide the designing options for us?	3 days at most.
14	What is your products standardization?	AWWA BS AIP WRAS FM.
15	How do you pack the equipment?	Negotiate with the customer.
16	Can you can design the equipment according to our size?	YES.
17	How many years have your company made this kind of equipment?	5 years.
18	Which certificate do you have for your equipment?	FM.
19	How many staffs do you have in your factory?	200
20	Do you have any agent in our country?	NONE.

21	Do you have any real project pictures of the equipment?	YES.
22	How far is your factory from the city hotel?	10 km.
23	How far is your factory from the airport?	10 km.
24	How long it will take from guangzhou to your factory?	5 hours.
25	Where is your factory located?	Weifang City, Shandong province.
26	Do you provide free spare parts?	It depends.
27	What is the age range for your products?	Everyone.
28	Do you have detailed and professional installation manual?	YES.
29	If OEM is acceptable?	YES.
30	Do you provide sample? Free or charge?	It depends.
31	What is your term of payment?	30% payment in advance, 70% paid before shipment.
32	What is your MOQ?	One container.
33	Are you a trading company or a manufacturer?	Trade and Industry combination group company.
34	How long is your delivery time?	25-40 days.