



**Special Sprinklers**

We supply Special Sprinklers. The HISPEED® Special Sprinklers are designed to protect unconventional and challenging areas such as attics and combustible concealed spaces, metal structures, MRI rooms, high-security and mental health institutions, hallways, and more. Each special sprinkler is designed to produce effective, efficient coverage while providing superior fire protection for highly specific use cases. We are

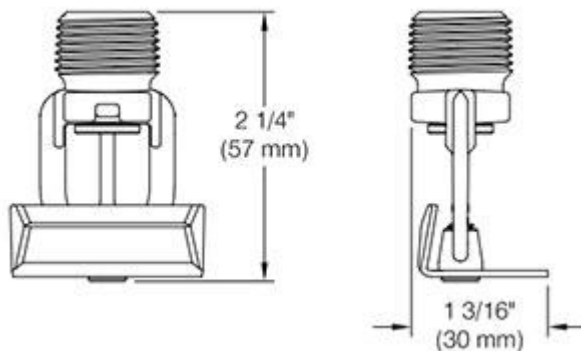
expecting to become your long term partner in China.

**Product Description**

The following is the introduction of high quality Hispeed® Special Sprinklers, hoping to help you better understand Hispeed® Special Sprinklers. Welcome new and old customers to continue to cooperate with us to create a better future!

The HISPEED® Special Sprinklers are designed to protect unconventional and challenging areas such as attics and combustible concealed spaces, metal structures, MRI rooms, high-security and mental health institutions, hallways, and more. Each special sprinkler is designed to produce effective, efficient coverage while providing superior fire protection for highly specific use cases. We are expecting to become your long term partner in China.

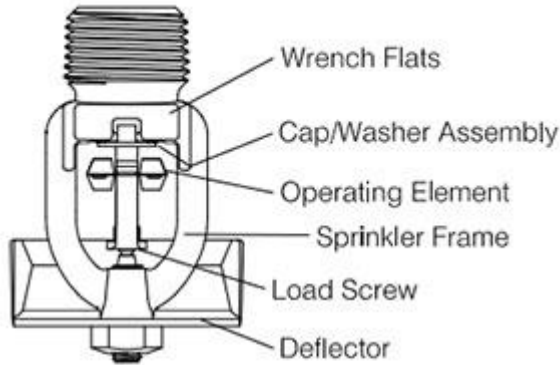
**Product Parameter (Specification)**



**Product Feature And Application**

<p><b>Temperature Ratings</b>                  165°F (74°C)                  212°F (100°C)</p>	<p><b>Technical Specifications</b>  <b>Style:</b> Pendent Vertical Sidewall  <b>Threads:</b> 1/2" NPT or ISO7-1R1/2  <b>Nominal K-Factor:</b> 5.6 (80 metric)  <b>Max. Working Pressure:</b> 250 psi (17 bar)</p>
--	---

**Product Details**



**Material Specifications**

- Thermal Sensor:** Nickel Alloy
- Sprinkler Frame:** Brass Alloy
- Button:** Copper Alloy
- Sealing Assembly:** Nickel Alloy with PTFE
- Load Screw:** Bronze Alloy
- Deflector:** Bronze Alloy

**Deliver,Shipping And Serving**

Ship from Qingdao or another Seaports

**FAQ**

	Q	A
1	How many days you need to install the equipment?	Unwanted.
2	How many staff abroad you sent to install the equipment?	Unwanted.
3	Can I transfer the money to you then you pay to other supplier?	YES.
4	Can I delivery the goods from other supplier to your factory? Then load together?	YES.
5	When will you leave your factory and to have your spring festival holidays?	According to national regulations.
6	Can the equipment be installed under hot weather?	YES.
7	Can Your products be installed	YES.

	under the cold weather?	
8	Do You have office in shanghai or guangzhou that i can visit?	NONE.
9	Can you send your staff to install the equipment for us?	Unwanted.
10	Can I only buy some spare parts from you?	YES.
11	Will you will attend the fair to show your products?	YES.
12	Can you send your equipment to my warehouse in guangzhou?	YES.
13	How long it takes you to provide the designing options for us?	3 days at most.
14	What is your products standardization?	AWWA BS AIP WRAS FM.
15	How do you pack the equipment?	Negotiate with the customer.
16	Can you can design the equipment according to our size?	YES.
17	How many years have your company made this kind of equipment?	5 years.
18	Which certificate do you have for your equipment?	FM.
19	How many staffs do you have in your factory?	200
20	Do you have any agent in our country?	NONE.
21	Do you have any real project pictures of the equipment?	YES.
22	How far is your factory from the city hotel?	10 km.
23	How far is your factory from the airport?	10 km.
24	How long it will take from	5 hours.

	guangzhou to your factory?	
25	Where is your factory located?	Weifang City,Shandong province.
26	Do you provide free spare parts?	It depends.
27	What is the age range for your products?	Everyone.
28	Do you have detailed and professional installation manual?	YES.
29	If OEM is acceptable?	YES.
30	Do you provide sample? Free or charge?	It depends.
31	What is your term of payment?	30% payment in advance, 70% paid before shipment.
32	What is your MOQ?	One container.
33	Are you a trading company or a manufacturer?	Trade and Industry combination group company.
34	How long is your delivery time?	25-40 days.